



KUZTM

2021 Catalogue

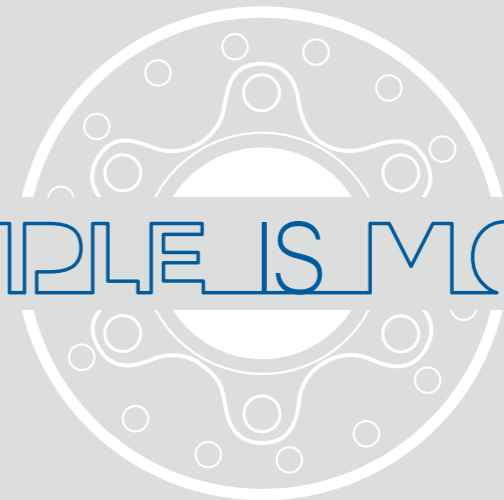
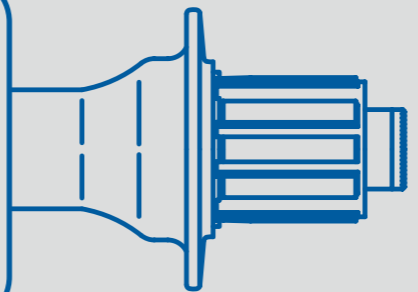


Ming Lun Sports (Huai'An) Co.,LTD
明倫運動器材（淮安）有限公司

NO.289, Shenzhen East Road, Huai'an Economic And Technical Development Zone, Jiangsu, China

江蘇省淮安經濟技術開發區深圳東路289號

T:+86-517-8989-7100 F:+86-517-8989-7071 E:kuztm@kthub.com





KUZTM

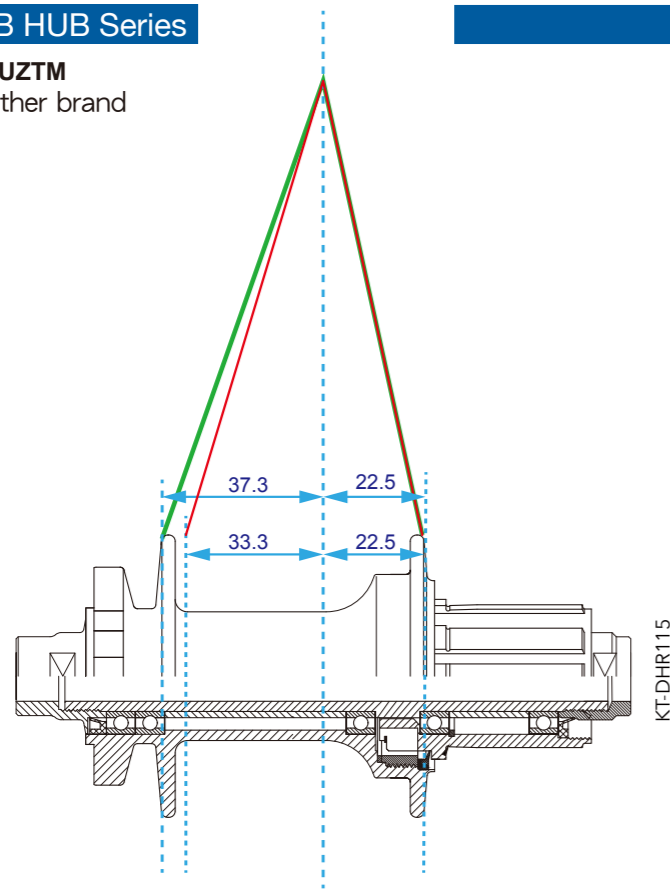
Cycling HUBS

MTB E-MTB FOLDING BIKE ROAD ROAD DISC/GRAVEL BMX

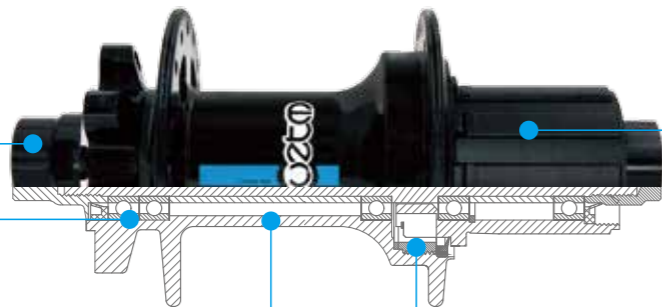


MTB HUB Series

— KUZTM
— Other brand



4 in 1 system allowing the conversion between standard QR 135x145 to 12x135, 12x142, 10x135



Premium cartridge sealed bearing optimize your hub and are the most durable



High Precision Aluminum 7075 axle in OD17mm



Indicates compatibility with SRAM XD 11sp



Reliable and high strength Alum. 5 pawls freewheel hub with individual springs



Indicates compatibility with SHIMANO 11sp



Center Lock version available



High Precision Aluminum 7075 axle in OD17mm



Indicates compatibility with SRAM XD 12sp



Indicates compatibility with SRAM XDR 11sp



4 in 1 system allowing the conversion between standard QR 135x145 to 12x135, 12x142, 10x135



5 in 1 system allowing the conversion between standard QR to 20mm, 15mm, 12mm, 9mm



Indicates the significant design which provides durability for E-MTB



Premium cartridge sealed bearing optimize your hub, ensuring that rolling smooth and water renaissance.



3/5/6 pawls freehub body with individual springs



Indicates compatibility with SHIMANO MICRO SPLINE 12sp



DHF112

O.L.D 110
 SPOKE HOLE 28/32/36
 P.C.D. 58/58
 AXLE 15MM
 SEALED BEARING 2PCS
 WEIGHT 197G

OPTION : CENTER LOCK VERSION : **DHF1C2**

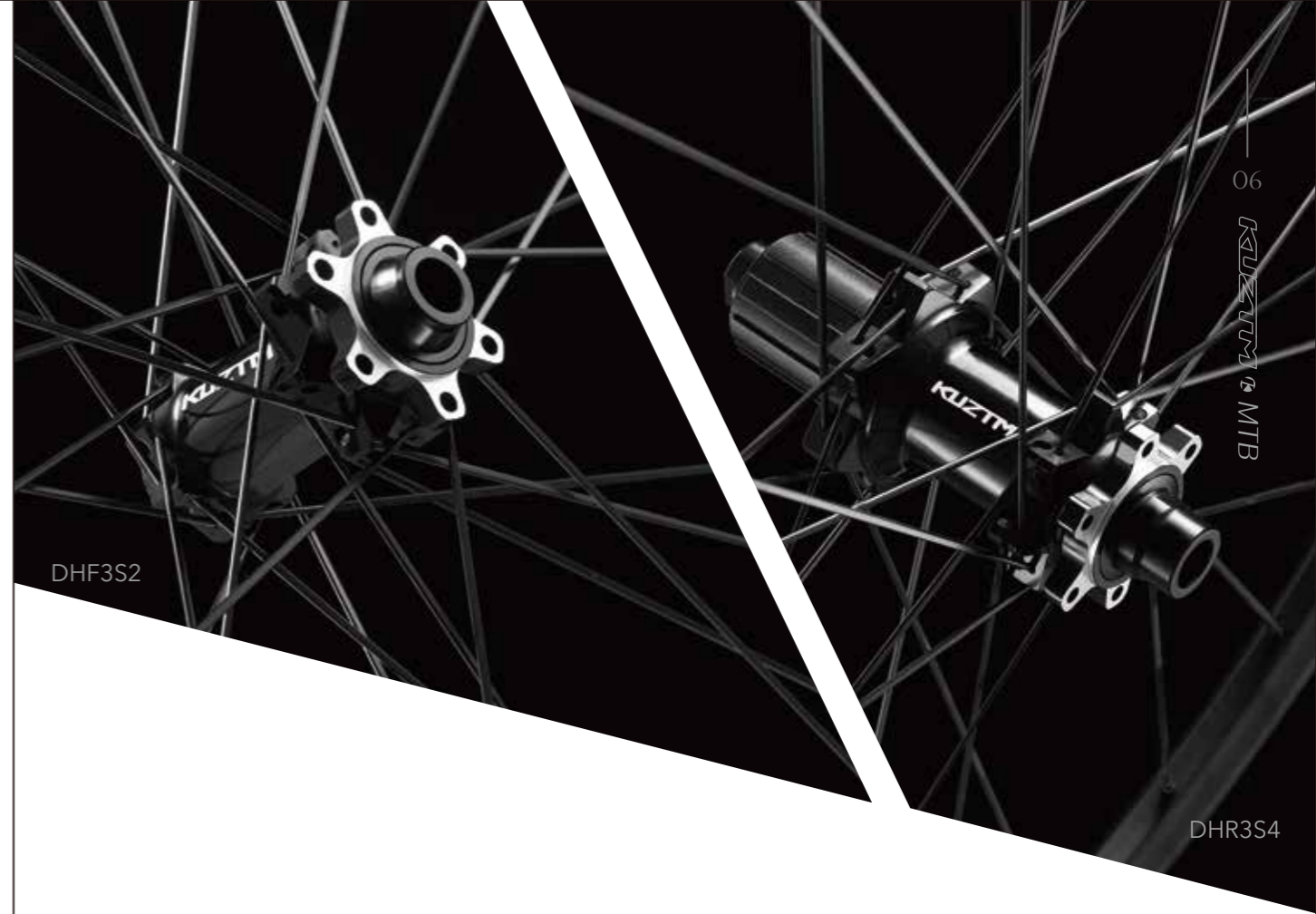
OPTION : SUPER BOOST : **DHF412** 188G



DHF122

O.L.D 110
 SPOKE HOLE 28/32/36
 P.C.D. 58/58
 AXLE 20MM
 SEALED BEARING 2PCS
 WEIGHT 202G

OPTION : CENTER LOCK VERSION : **DHF1L2**



DHF3S2

DHR3S4



DHF222

O.L.D 100
 SPOKE HOLE 24/28/32/36
 P.C.D. 58/45
 AXLE 9/12/15MM
 SEALED BEARING 2PCS
 WEIGHT 137G

OPTION : CENTER LOCK VERSION : **DHF2C2**

OPTION : END CAP 9X100X108MM / 12X100MM





AL-7075 one-piece forged cassette compatible w/SRAM XD 11sp, 5 pawls and 5 springs, Hard anodizing
Option : SHIMANO type available

DHR115

O.L.D 148
SPOKE HOLE 32/36
P.C.D. 58/58
AXLE 12MM
SEALED BEARING 5PCS
PALWS 5
WEIGHT 335G

OPTION : SRAM XD DRIVE : **DHR1X5** 327G

OPTION : CENTER LOCK VERSION : **DHR1C5** 310G

OPTION : SHIMANO MICRO SPLINE : **DHR1S5**



DHR215

O.L.D 150
SPOKE HOLE 32/36
P.C.D. 58/58
AXLE 12MM
SEALED BEARING 5PCS
PALWS 5
WEIGHT 327G

OPTION : CENTER LOCK VERSION : **DHR2C5**

OPTION : SRAM XD DRIVE : **DHR2X5** 316G

OPTION : SHIMANO MICRO SPLINE : **DHR2S5**

OPTION : CAP FOR 12X157 352G



DHR275 7SP

O.L.D 150
SPOKE HOLE 32/36
P.C.D. 58/58
AXLE 12MM
SEALED BEARING 5PCS
PALWS 5
WEIGHT 327G

OPTION : CAP FOR 12X157



DHR214

O.L.D 142
SPOKE HOLE 28/32/36
P.C.D. 58/58
AXLE 12MM
SEALED BEARING 4PCS
PALWS 5
WEIGHT 303G

OPTION : CENTER LOCK VERSION : **DHR2C4**

OPTION : SRAM XD DRIVE : **DHR2X4** 295G

OPTION : SHIMANO MICRO SPLINE : **DHR2S4**

OPTION : CAP FOR 12X135 / M10X135X145





DER215
12X150MM

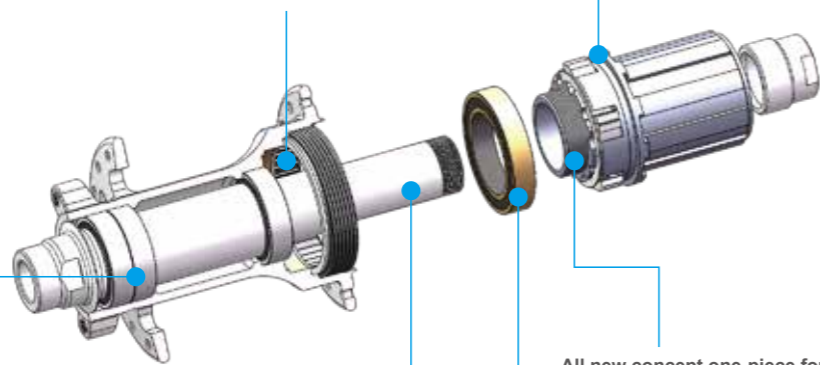
DER275
12X150MM 7SP

DER214
12X142MM

DER115
12X148MM

Individual 5 pawls and 5 springs, two points of each pawls

Durable inner ratchet ring which transfers / disperse torque to hub shell more than 800Nm torque tested



Oversized 19mm Alum-7075 axle as a stronger connection between hub shell and cassette body

All new concept one-piece forged 7075 cassette body

Double sealed bearing loaded in disk side provides support to hub shell and flange

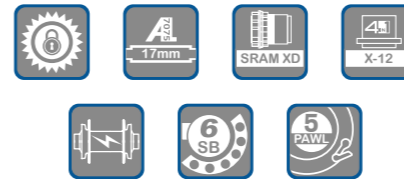
Oversized high premium cartridge sealed bearing 6805 to secure and hold cassette body to prevent it from any play or moving



All new AL-7075 one-piece forged cassette compatible w / SHIMANO, 5 pawls and 5 springs, Hard anodizing
Option : SRAM XD type available

DER115

- O.L.D 148
- SPOKE HOLE 32/36
- P.C.D. 58/58
- AXLE 12MM
- SEALED BEARING 5PCS / 1 OVERSIZED SEALED BEARING
- PALWS 5
- WEIGHT 374G
- OPTION : CENTER LOCK VERSION : **DER1C5**
- OPTION : SRAM XD DRIVER : **DER1X5** 368G
- OPTION : 12X142 : **DER2-14** 363G



There's an e-bike for everything



MSR114

O.L.D 142
 SPOKE HOLE 28/32/36
 P.C.D. 58/58
 AXLE 12MM
 SEALED BEARING 4PCS
 PALWS 5
 WEIGHT 289G
 ACCESSORY ALLOY SPACER / SPROCKET 14-18T /
 LOCK RING



OPTION : CENTER LOCK VERSION : **MSR1C4**
 OPTION : 3/8 BOLT TYPE : **MSR184**
 OPTION : CAP FOR 12x135mm



MDR114(MIR)

O.L.D 135
 SPOKE HOLE 32/36
 P.C.D. 58/58
 AXLE 3/8 BOLT TYPE
 SEALED BEARING 4PCS
 PALWS 4SB + 1NEEDLE BEARING
 WEIGHT 331G

OPTION : 9T /10T /11T/12T/13T AVAILABLE



CRF612 (KT-XF1F)

O.L.D 100
 SPOKE HOLE 24/28/32/36
 P.C.D. 58/45
 AXLE 9/12/15MM
 SEALED BEARING 2PCS
 WEIGHT 169G



OPTION : CENTER LOCK VERSION : **CRF6L2(KT-TZ5F)** 139G
 OPTION : AXLE KIT FOR CONVERTER TO 9MMX100X108



CRR614

O.L.D 142
 SPOKE HOLE 28/32
 P.C.D. 58/51
 AXLE 12MM
 SEALED BEARING 4PCS
 PALWS 3
 WEIGHT 272G

OPTION : CENTER LOCK VERSION : **CRR6L4** 262G
 OPTION : SRAM XDR DRIVER : **CXR614** 274G
 OPTION : CAP FOR 12X135/M9X100X108 AVAILABLE





CRF6L2 (TZ5F)

O.L.D 100
SPOKE HOLE 24/28/32/36
P.C.D. 45/45
AXLE 9/12/15MM
SEALED BEARING 2PCS
WEIGHT 139G

OPTION : AXLE KIT FOR CONVERTER TO 9MMX100X108



CRR6L4

O.L.D 142
SPOKE HOLE 28/32
P.C.D. 51/45
AXLE 12MM
SEALED BEARING 4PCS
PALWS 3
WEIGHT 276G

OPTION : SRAM XDR DRIVER : **CXR6L4** 255G

OPTION : CAP FOR 12X135/M9X100X108 AVAILABLE



CXR614

O.L.D 142
SPOKE HOLE 28/32
P.C.D. 58/51
AXLE 12MM
SEALED BEARING 4PCS
PALWS 3
WEIGHT 274G

OPTION : CENTER LOCK VERSION : **CXR6L4** 262G

OPTION : CAP FOR 12X135/M9X100X108 AVAILABLE



SPF222

O.L.D 100
SPOKE HOLE 18/20
AXLE 9MM
SEALED BEARING 2PCS
WEIGHT 90G



SPF322

O.L.D 100
SPOKE HOLE 18/20
AXLE 9MM
SEALED BEARING 2PCS
WEIGHT 78G



SPF412

O.L.D 100
SPOKE HOLE 18/20
AXLE 9MM
SEALED BEARING 2PCS
WEIGHT 98G



SPR414

O.L.D 130
SPOKE HOLE 21/24
AXLE M10
SEALED BEARING 4PCS
PALWS 3
WEIGHT 249G

OPTION : CAMPY DRIVER : **SPR4C4**





SPR224

O.L.D 130
 SPOKE HOLE 20/24
 AXLE M10
 SEALED BEARING 4PCS
 PALWS 3
 WEIGHT 262G



OPTION : CAMPY DRIVER : **SPR2C4** 265G

OPTION : SRAM XDR DRIVER : **SPR2X4**



SPR2X4

O.L.D 130
 SPOKE HOLE 20/24
 AXLE M10
 SEALED BEARING 4PCS
 PALWS 3
 WEIGHT 226G



FXF212

O.L.D 74
 SPOKE HOLE 10/16/20
 AXLE 9MM / M6 BOLT TYPE
 SEALED BEARING 2PCS
 WEIGHT 75G

OPTION : CAP FOR 74w / 84w / 90w / 95w / 100w



FDF112 (KT-S73F)

O.L.D 74
 SPOKE HOLE 24/28/32
 AXLE 9MM
 SEALED BEARING 2PCS
 WEIGHT 173G



BXF112

O.L.D 100
 SPOKE HOLE 28/36
 P.C.D. 45/45
 AXLE M10 BOLT TYPE
 SEALED BEARING 2PCS
 WEIGHT 146G

OPTION : 3/8 BOLT TYPE : **BXF182**



BXF202

O.L.D 100
 SPOKE HOLE 28/36
 P.C.D 51/51
 AXLE 20MM
 SEALED BEARING 2PCS
 WEIGHT 170G

OPTION : ADAPTOR FOR 3/8 BOLT TYPE AVAILABLE



BXR114

O.L.D 110
 SPOKE HOLE 28/36
 P.C.D. 60/44
 AXLE M10 BOLT TYPE
 SEALED BEARING 4PCS
 PALWS 6
 WEIGHT 289G

ACCESSORY ALLOY SPACER / SPROCKET 14-18T / LOCK RING

OPTION : 3/8 BOLT TYPE : **BXR184**



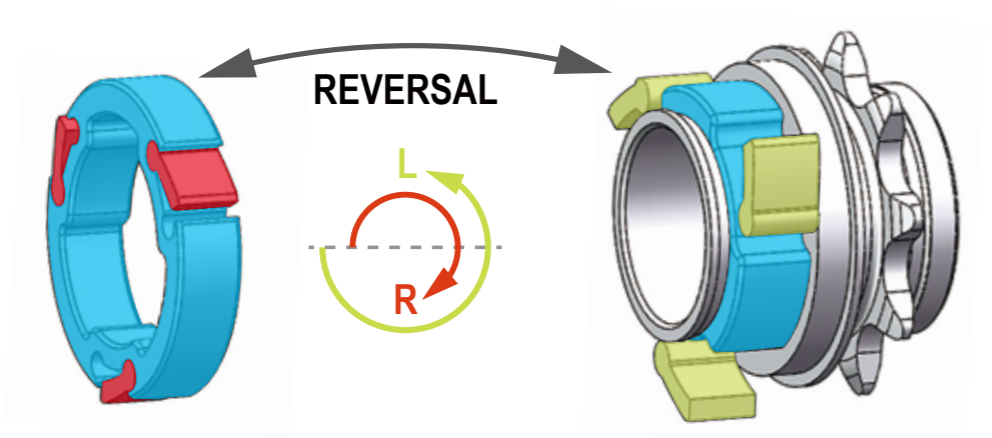
BXR214

O.L.D 110
 SPOKE HOLE 28/36
 P.C.D. 61/45
 AXLE M10 BOLT TYPE
 SEALED BEARING 4PCS
 PALWS 6
 WEIGHT 272G

ACCESSORY ALLOY SPACER / SPROCKET 14-18T / LOCK RING

OPTION : 3/8 BOLT TYPE : **BXR284**





PATENT



BMR214

- O.L.D 110
- SPOKE HOLE 36
- P.C.D. 61/45
- AXLE M14 AXLE
- SEALED BEARING 4PCS +1 NEEDLE BEARING
- PALWS 3
- LHD & RHD ONE PIECE DRIVER 9T /10T /11T
- WEIGHT 566G
- OPTION : 3/8 BOLT TYPE : [BMR114](#)



The batteries are getting better.





FIF112

O.L.D 100
 SPOKE HOLE 32/36
 P.C.D 61.5/61.5
 AXLE 3/8
 SEALED BEARING 2PCS
 WEIGHT 229G
 OPTION QR TYPE : **FIF1Q2**



FIR112

O.L.D 120
 SPOKE HOLE 32/36
 P.C.D 62.5/62.5
 AXLE 3/8
 SEALED BEARING 2PCS
 Freewheel : L : Fixed Gear / R : BC 1.37X24T
 ACCESSORY 14/15/16/17/18T (1/8') & WASHER 1.0T & LOCK RING 53G
 WEIGHT 299G (WITHOUT ACCESSORY)

OPTION QR TYPE : **FIR1Q2**
 OPTION BOTH SIDE FIXED : **FIR122**



KU12AR-SH
KU12AR-SR 81g



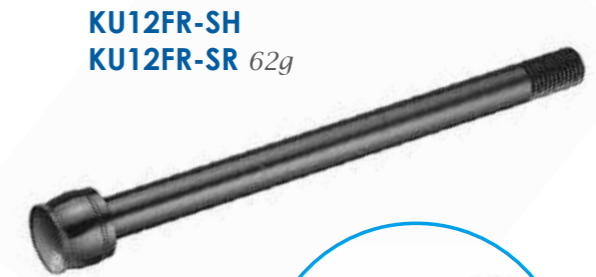
KU12BR-SH
KU12BR-SR 64g



KU12DR-SH
KU12DR-SR 44g



KU12CR-SH
KU12CR-SR 43g



KU12FR-SH
KU12FR-SR 62g



MODEL	OLD	PITCH	B±1	THREAD LENGTH	WITH NUT	SYSTEM
ROAD	100	M12*P1.5	120	12	-	-
		M12*P1.5	121.5	13.5	-	SHIMANO
		M12*P1.5	125	16	-	SRAM
		M15*P1.5	125	16	-	SRAM
MTB	142	M12*P1.5	163.5	13.5	-	SHIMANO
		M12*P1.5	165	18	-	SHIMANO
		M12*P1.0	166	20	Y	SYNTACE
		M12*P1.0	166	20	-	DT SWISS
		M12*P1.75	167	20	-	SRAM
		M12*P1.5	170	18	Y	SHIMANO
		M12*P1.5	172	18	Y	SHIMANO
		M12*P1.75	174	20	-	SRAM
FAT BIKE	148	M12*P1.5	178	18	Y	SHIMANO
	150	M12*P1.75	180	20	-	SRAM
FAT BIKE	197	M15*P1.5	199	12	-	ROCKSHOX
		M12*P1.5	227	18	Y	SHIMANO
MTB	100	M12*P1.75	229	20	-	SRAM
		M14*P1.5	145	16	Y	FOX
MTB	100	M15*P1.5	150	20	-	SRAM



FREEHUB BODY

FOR MTB DHR SERIES



FOR E-MTB DER SERIES



FOR ROAD/GRAVEL CXR/CRR SERIES



150T FREEHUB BODY FOR BXR SERIES



CENTER LOCK ADAPTER

PARTS NO.:TZ5F-KIT Converter center lock to 6-bolt



ALLOY SPACER

ALLOY SPACER



FLAT SPROCKET KIT OPTION

Style A 13T ,14T , 15T, 16T, 17T (3/32 2.3T)



Style B 13T ,14T , 15T, 16T, 17T (3/32 2.3T)





KUZTM

*You'll ride a lot more,
even if you already ride a lot.*